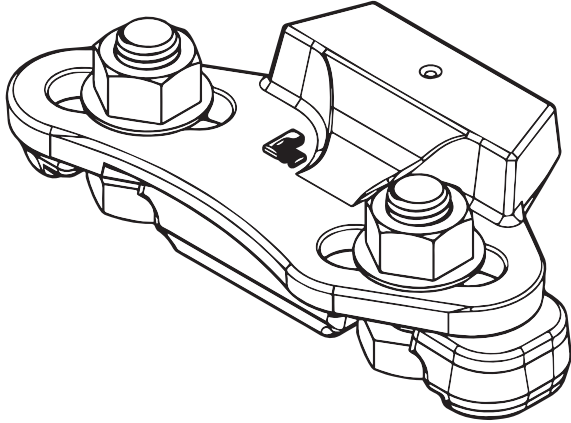


# M165

## CRANE RAIL CLIPS

weldable and interlocking adjustment



### FEATURES

Patented system of the rubber pressure block installation prevents the escape of the pressure block from the rail clip during the life of the installation.

### COMPONENTS INCLUDED

- upper rail clip
- rubber pressure block
- weldable base
- M16 class 10.9 heavy hex bolts
- bolt nuts

### DIMENSIONS

M165 Rail Clip	Height	51mm
	Footprint	51mm
	Length	180mm
	A	08mm

### CALCULATIONS

Rail	F: rail width	S: F+(2 x 8mm)	D: F+(2 x 51mm)
Example: A75	200mm	216mm	318mm
Your rail:	mm	mm	mm

# inform rail

RAIL SOLUTIONS AUSTRALIA

sales@informrail.com.au | (03) 6184 7188

### SPECIFICATIONS

Lateral Resistance.....165kN

Adjustment.....16mm

### INSTALLATION

Tightening Torque..... 200Nm

**M16** class **10.9** heavy hex head structural bolt.

