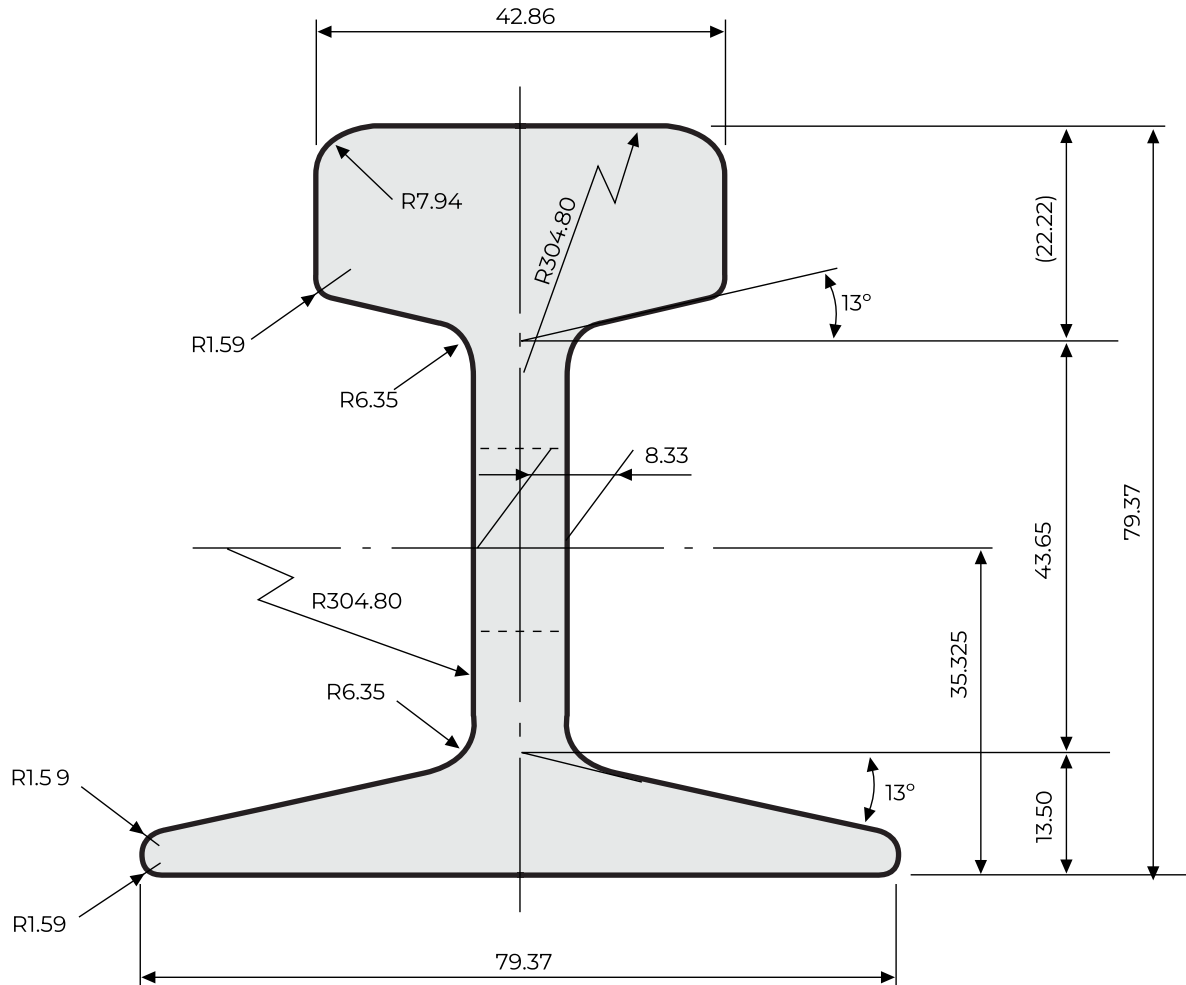


15KG LIGHT RAIL

JIS E1103 M



Class	Minimum tensile strength (N/mm ²)	C	Si max.	Mn	P max.	S max.
10kg, 15kg	569 min	0.40 - 0.60	0.40	0.50 - 0.90	0.045	0.05

Class	Notation	Calculated Mass (kg/m)	Elongation (%)
15kg	15	15.2	10 min

Standard length: 9m