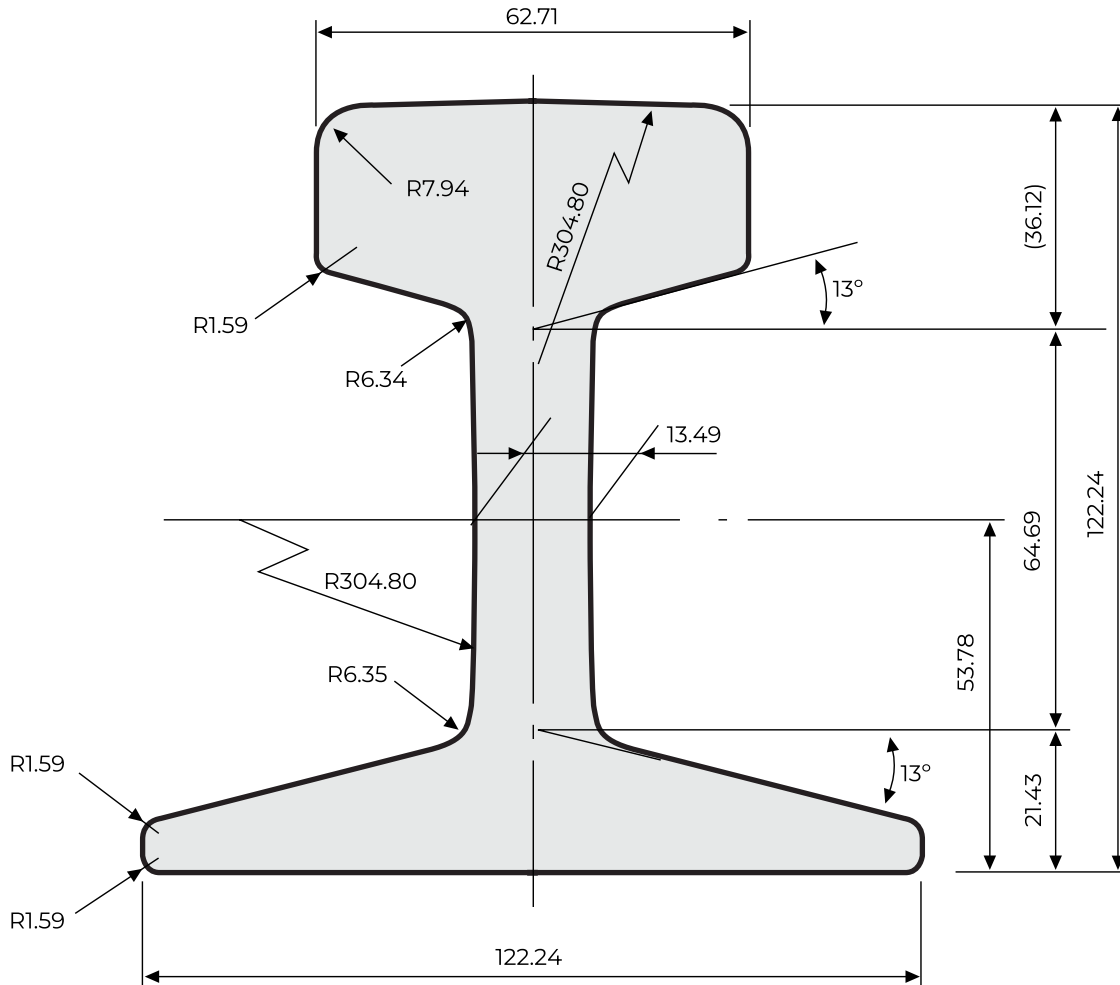


37KG LIGHT RAIL

JIS E1101



Class	Minimum tensile strength (N/mm ²)	C	Si max.	Mn	P max.	S max.
37kg	690	0.50 - 0.70	0.35	0.60 - 0.90	0.045	0.05

Class	Notation	Calculated Mass (kg/m)	Elongation (%)
37kg	37J	37.2	9 minimum

Standard length: 12.19m