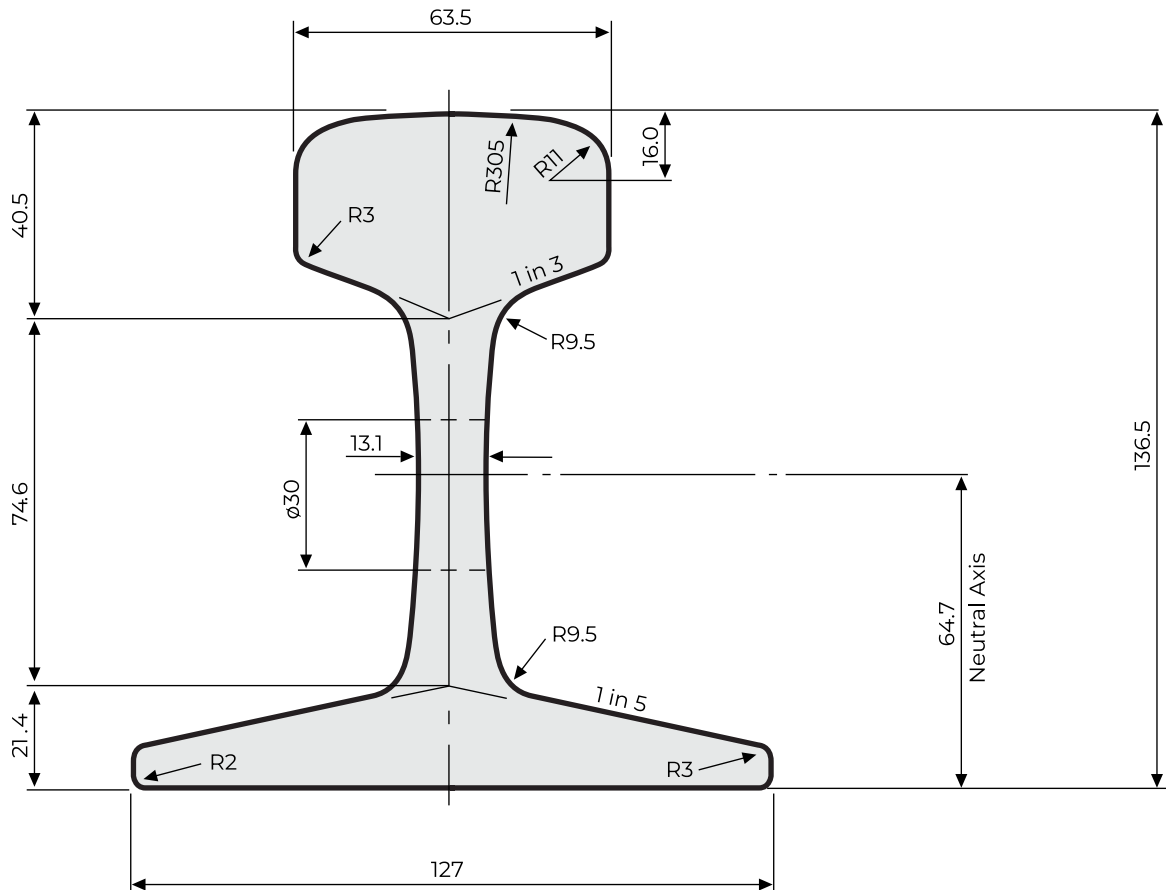


41KG

STANDARD RAIL

AS1085.1-2002



Class	Tensile strength (MPa)	C	Si max.	Mn	P max.	S max.
41kg	700	0.53 - 0.69	0.58	0.60-0.95	0.025	0.025

Class	Surface Hardness (HB)	Calculated Mass (kg/m)	Elongation (%)
41kg	230	40.8	8 min

Standard length: 12.19m & 13.72m