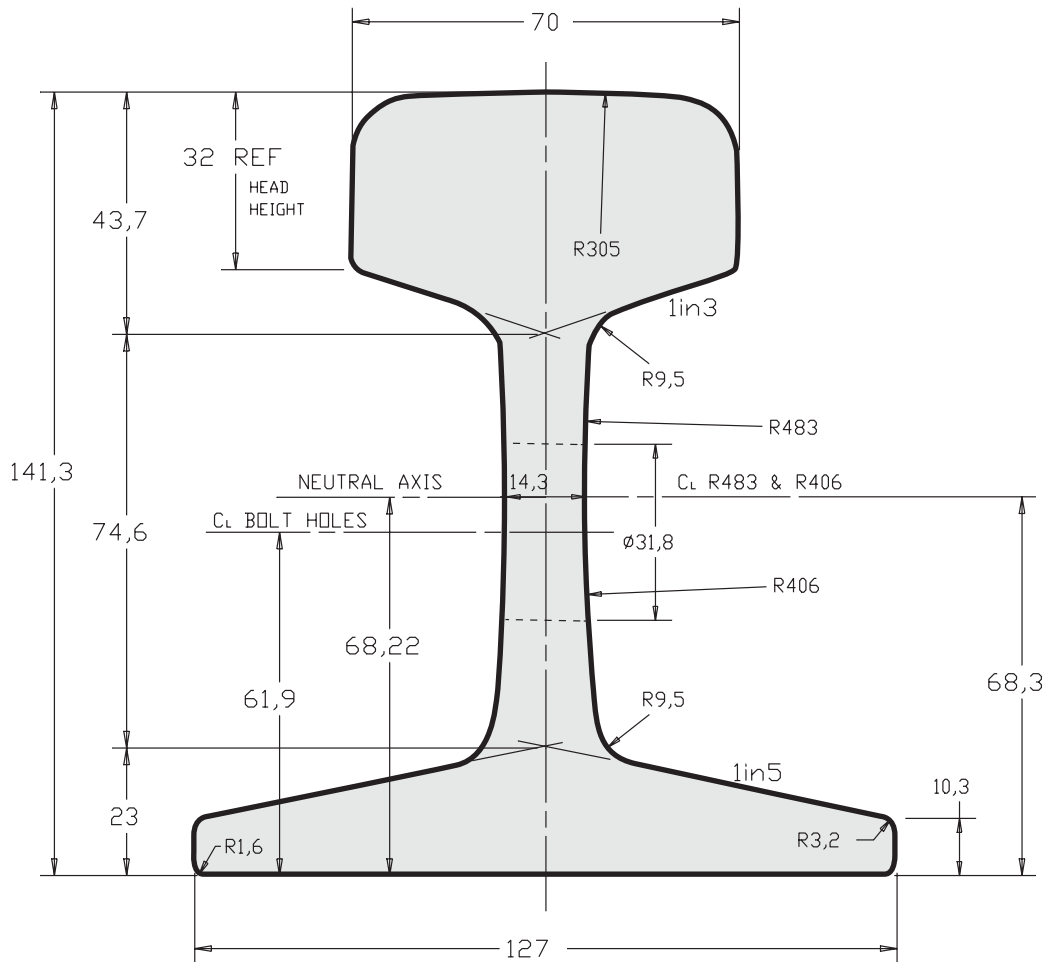


47KG

STANDARD RAIL

AS1085.1 - Various



Class	Tensile strength (MPa)	C	Si max.	Mn	P max.	S max.
47kg	880 min.	0.65 - 0.82	0.58	0.70 - 1.25	0.025	0.025

Class	Notation	Calculated Mass (kg/m)	Elongation (%)
47kg	47	46.37	8 min.

Standard length: 12m