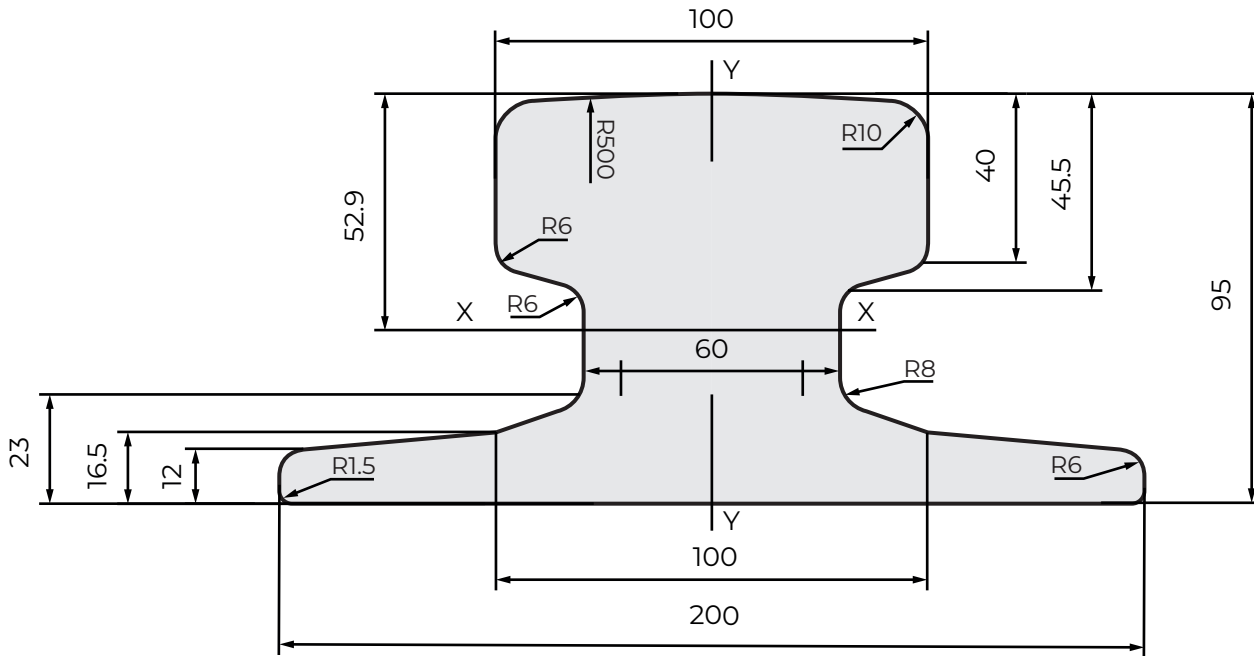


A100

CRANE RAIL

DIN 536 P1:1991



Crane rail symbol	Minimum tensile strength (N/mm ²)	C	Si max.	Mn	P max.	S max.
A45, A55, A65, A75, A100, A120, A150	690	0.40–0.60	0.35	0.80–1.20	0.045	0.045
A75, A100	880	0.60–0.80	0.50	0.80–1.30	0.045	0.045
A120, A150	880	0.55–0.75	0.50	1.30–1.70	0.045	0.045

Crane rail	Mass kg/m	e1 cm	e2 cm	A _x cm ²	A _{y,z} cm ²	A _z cm ²	I _x cm ⁴	I _y cm ⁴	I _z cm ⁴	S _y cm ³	S _z cm ³
A100	74.3	5.29	6.27	94.7	65.8	41.6	666	856	1345	128.78	141.58

Notes:

A_x cross-sectional area
 A_{y,z} shear areas
 I_x second moment of area (torsion)
 I_{y,z} second moments of area (flexure)
 S_{y,z} section moduli