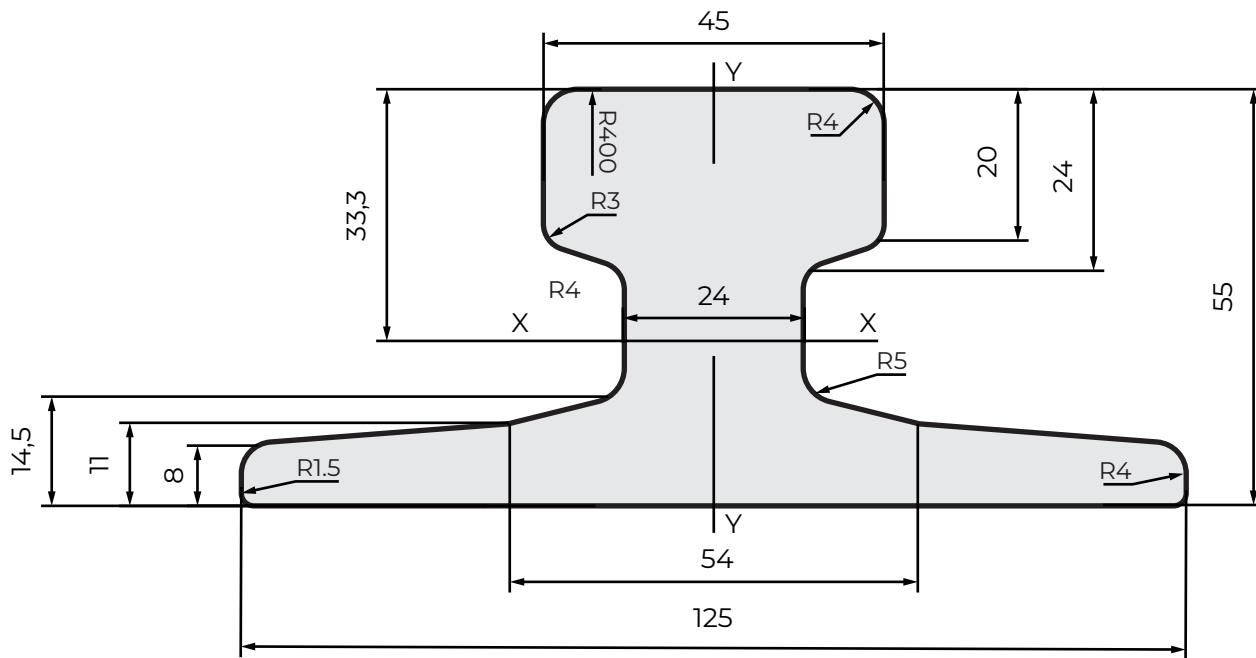


A45

CRANE RAIL

DIN 536 P1:1991



Crane rail symbol	Minimum tensile strength (N/mm ²)	C	Si max.	Mn	P max.	S max.
A45, A55, A65, A75, A100, A120, A150	690	0.40-0.60	0.35	0.80-1.20	0.045	0.045

Crane rail	Mass kg/m	e1 cm	e2 cm	A _x cm ²	A _y cm ²	A _z cm ²	I _x cm ⁴	I _y cm ⁴	I _z cm ⁴	S _y cm ³	S _z cm ³
A45	22.1	3.33	4.24	28.2	17.0	9.6	39	90	170	22.88	26.12

Notes:

A_x cross-sectional area
 A_{y,z} shear areas
 I_{x,y,z} second moment of area (torsion)
 I_{x,y,z} second moments of area (flexure)
 S_{y,z} section moduli