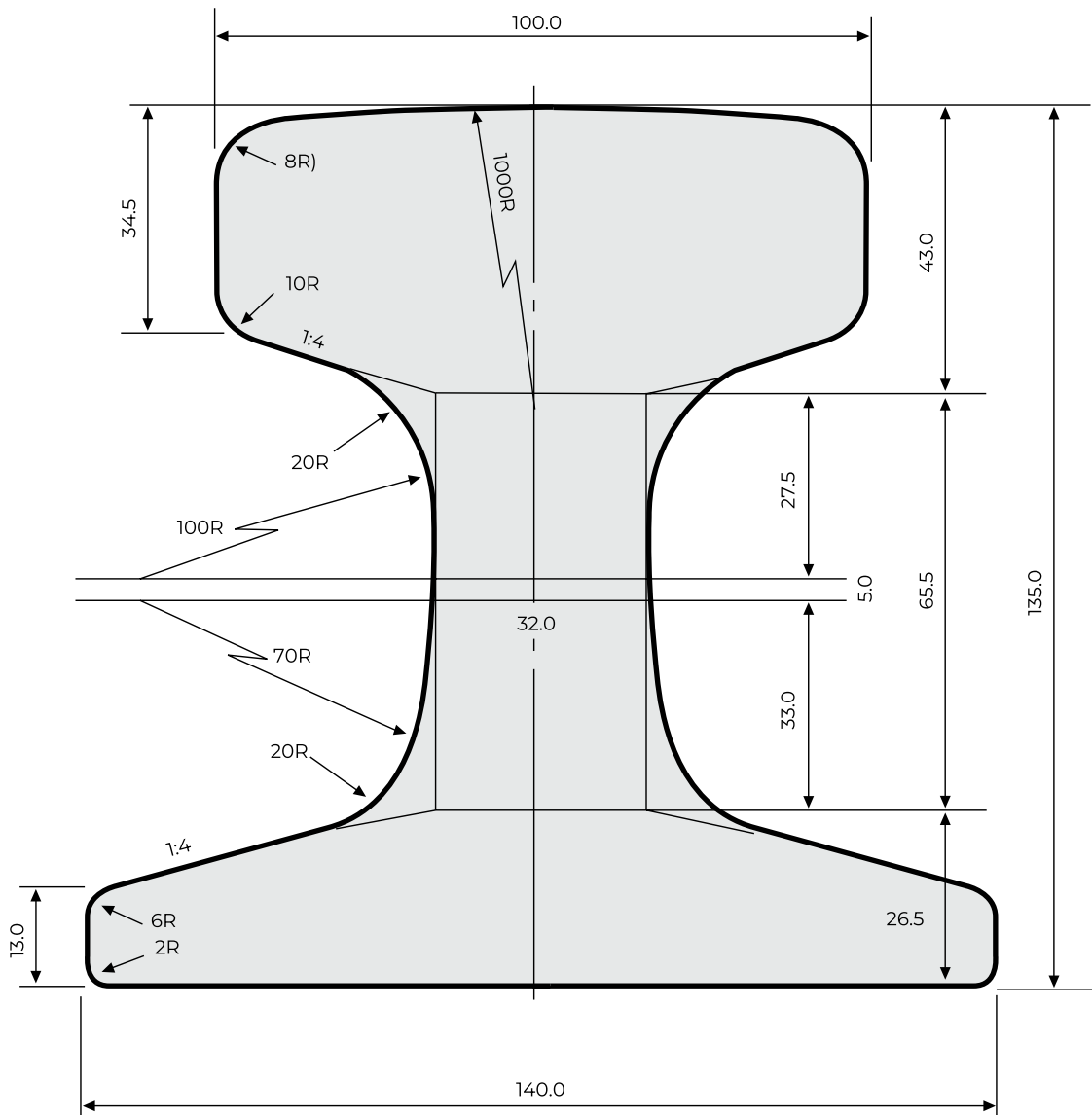


# CR 73

## CRANE RAIL

SPECIAL



Class	Area (cm <sup>2</sup> )	MOMENT OF INERTIA X-X (cm <sup>4</sup> )	MOMENT OF INERTIA Y-Y (cm <sup>4</sup> )	SECTION MODULUS X-X - HEAD (cm <sup>3</sup> )	SECTION MODULUS X-X - BASE (cm <sup>3</sup> )	SECTION MODULUS Y-Y (cm <sup>3</sup> )
CR73	93.4	2000	719	294	296.3	103

Mass: 73.3 Kg/m